



Ambassador Suite for DOORS

Integrate IBM Rational DOORS requirements into any 3rd Party application, requires a minimum level of effort, create bi-directional links from any 3rd party object model to DOORS requirements.

Ambassador[®] for DOORS is a **service-oriented architecture (SOA)** product that facilitates the communication and data sharing between IBM Rational DOORS[®] Server and today's leading Product Lifecycle Management (PLM) systems. More importantly, **Ambassador[®] can be used to integrate IBM Rational DOORS[®] into any application.**

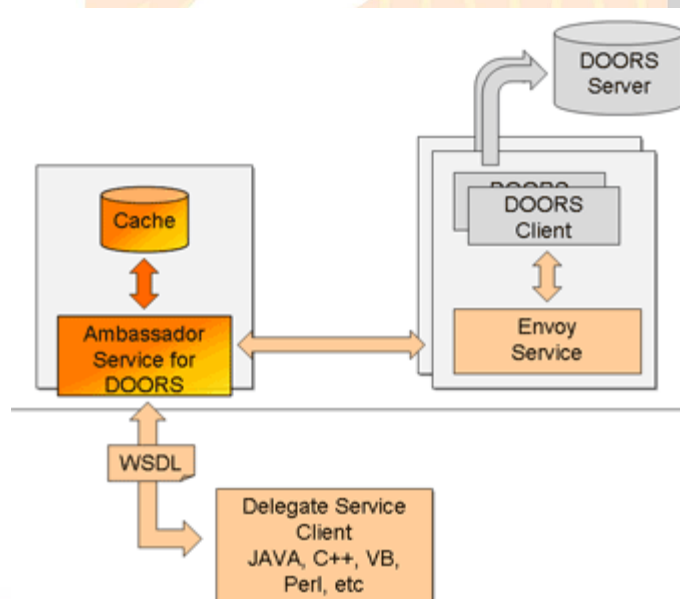
What is service-oriented architecture (SOA)?

- Defined by the [W3C](#) as "a software system designed to support [interoperable machine-to-machine](#) interaction over a [network](#)"
- They expose API of the operations offered by the service written in the [Web Services Description Language](#) (WSDL)
- User Interfaces are provided by Implementation

What is the Ambassador[®] for DOORS Architecture?

Ambassador[®] for DOORS consists of three services:

- Ambassador[®] for DOORS Service
- Envoy Service
- Delegate Service



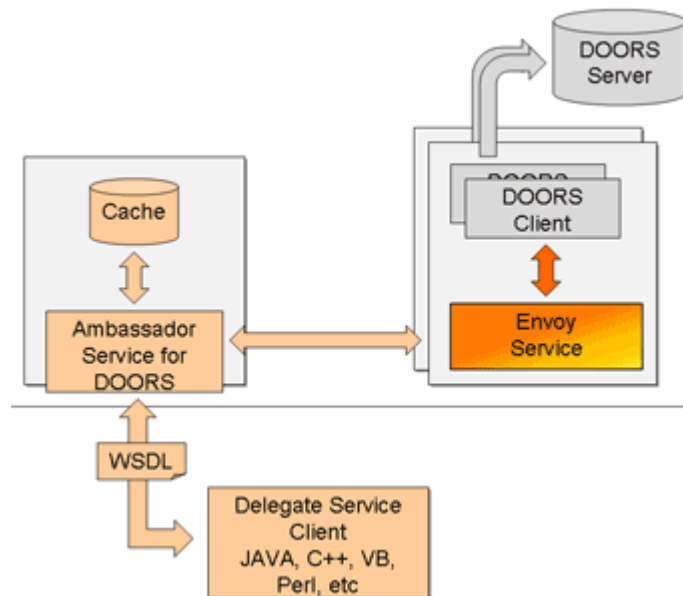


Ambassador[®] for DOORS Service

The Ambassador[®] for DOORS Service (ADS) is the core service of Ambassador[®] for DOORS web service product. The ADS performs many mission critical functions. ADS is most noted for superb data performance, ensuring interoperability between systems, load balancing between multiple DOORS Servers, and redundancy.

1. **Manages**
 1. Sessions (License Consumption)
 2. Envoy Connections
 3. Cache
 4. File Transfers
 5. Load Balancing
2. **Cache**
 1. Converts RTF from DOORS
 1. Into [Apache FOP](#) XML
 2. From FOP to HTML
 3. From FOP to PDF
 2. Converts Pictures from DOORS Into JPG format

Envoy[®] Service

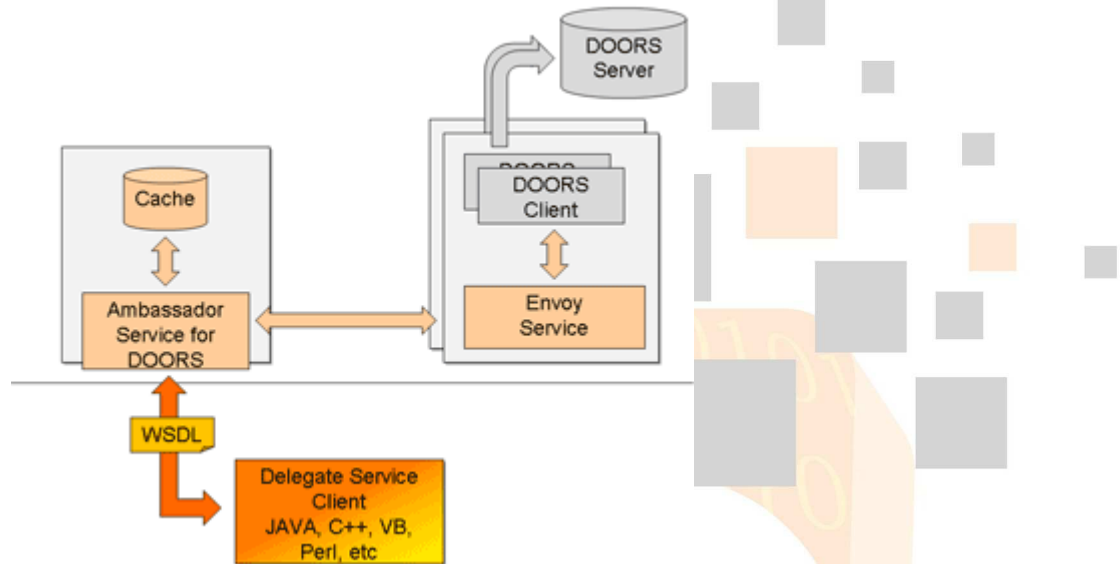




The Envoy Service is essential to the ADS and DOORS.

1. **Manages DOORS Clients**
 1. Starts N DOORS Clients
 2. Monitors QOS of DOORS Clients
 3. Stops DOORS Clients
2. **Handles request from the Ambassador for DOORS Service by creating DXL Scripts dynamically and submitting the script to DOORS and waiting for DOORS to complete the request.**
 1. The script generates XML
3. **Transforms the XML response from DOORS into JAVA Objects that are returned to the Ambassador[®] for DOORS Service.**

Delegate[®] Service



The Ambassador Suite for DOORS can be integrated into any 3rd Party Product using the Delegate Service.

1. **Adaptable to any programming language that supports Web Service Development**
 1. JAVA, C++, Visual Basic, Perl, etc.
2. **Therefore most any existing 3rd party thin or thick application can leverage DOORS data and add value to their respective product by producing their own proprietary Delegate service.**



STONWORKS
SOFTWARE

Contact Us

Stoneworks Software Corporation

HEADQUARTERS

2810 Chaney Road
Dunkirk MD 20754

Main Office: 443.423.1246
Fax: 443.423.1246

Toll Free 1.877.761.9082

General Information

Email
info@sws-corp.com

Website
<http://www.sws-corp.com>

STONWORKS PARTNERS



PartnerAdvantage

SOFTWARE/Platinum

Ready for



Rational.

software